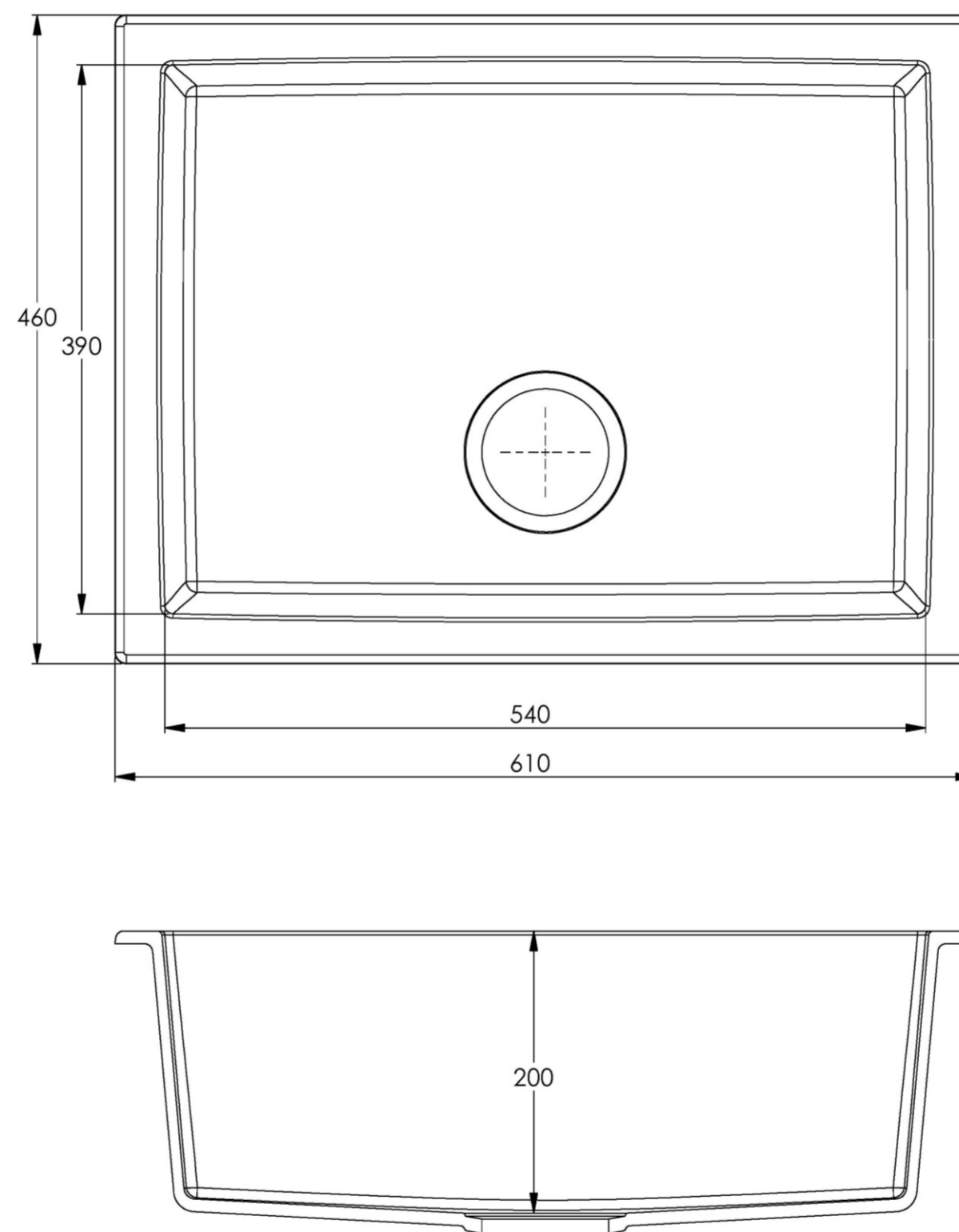


# Installation Manual

## The 24 x 18

Dimensions (mm)



# The 24 x 18

## ZINZOR THE PREMIUM QUARTZ/GRANITE KITCHEN SINK

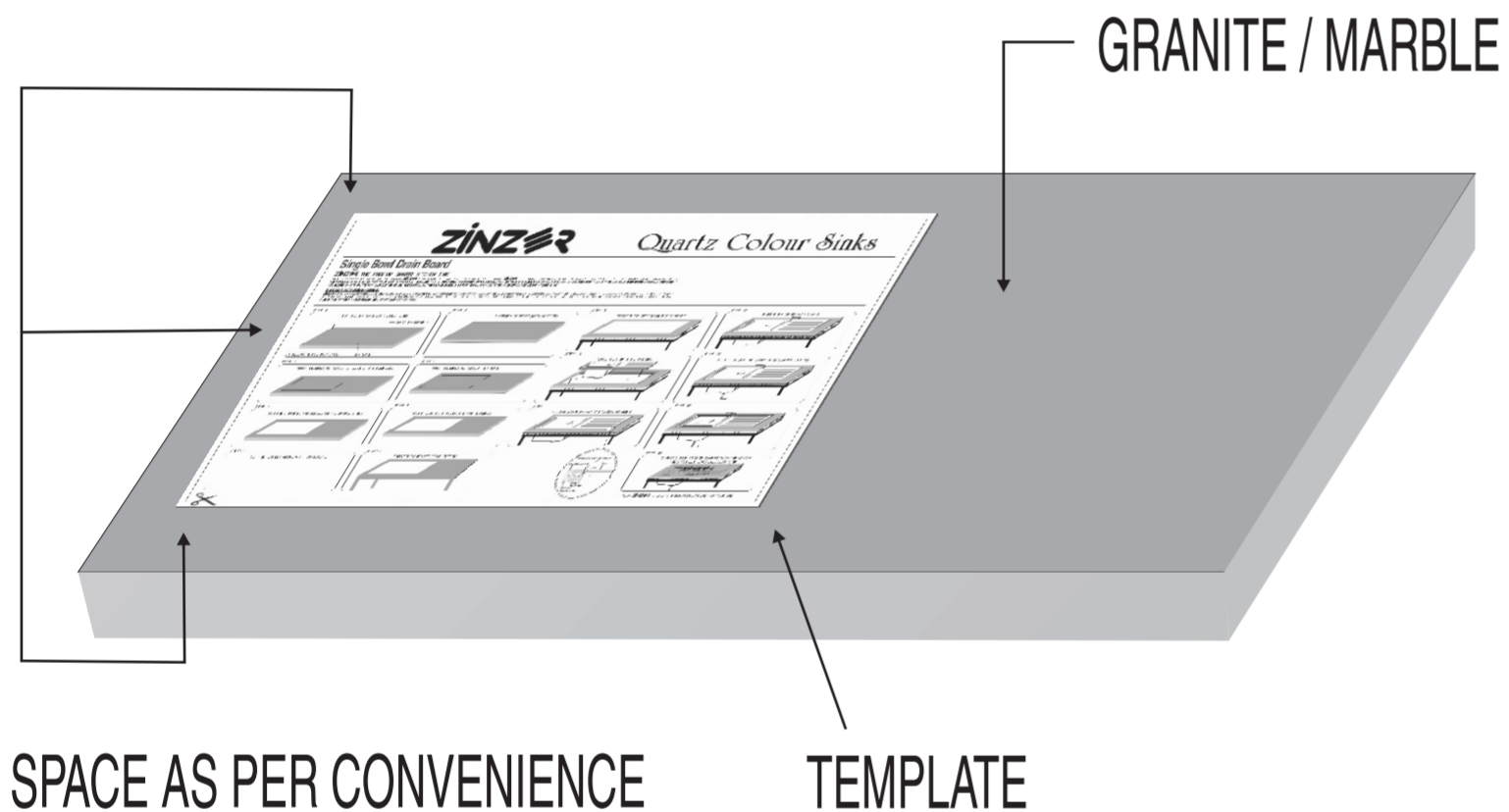
WE THANK YOU & COMPLEMENT YOU FOR CHOOSING ZINZOR KITCHEN SINK FOR YOUR EXCLUSIVE KITCHEN. WE ARE SURE ZINZOR SINK, WHICH IS KNOWN FOR ITS INTERNATIONAL QUALITY, WILL ENHANCE THE ELEGENCE OF YOUR MODULAR KITCHEN. WE WOULD LIKE TO ENSURE THAT YOUR SINK IS PROPERLY INSTALLED AND IS MAINTAINED AFTER INSTALLATION SO THAT THE ELEGENCE OF YOUR KITCHEN IS ASSURED FOR A LONG TIME. WE HAVE THEREFORE SPECIALLY DESIGNED & DEVELOPED THIS TEMPLATE FOR YOUR CONVENIENCE. PLEASE FOLLOW THE SIMPLE GUIDE FOR INSTALLATION & MAINTENANCE OF YOUR ZINZOR KITCHEN SINK.

### INSTALLATION GUIDELINES:

ZINZOR SINK IS A PREMIUM PRODUCT. PLEASE DO NOT ALLOW IT'S EDGES TO GET KNOCKED OUT AND DO NOT KEEP ANY OBJECT OVER IT WHILE IT IS LYING PACKED & AWAITING INSTALLATION, KEEP IT INSIDE ORIGINAL PACKING TILL FINAL FITMENT. FOR YOUR CONVENIENCE USE THIS TEMPLATE FOR DIMENSIONAL DETAILS FOR MAKING THE CUT FOR SINK ON THE PLATFORM. YOU NEED NOT DISTURB THE SINK TILL THE TIME IT IS READY FOR FITMENT. THE TEMPLATE HAS BEEN CUT AS PER THE ACTUAL DIMENSIONS OF THE SINK FOR FLUSH MOUNT OF YOUR KITCHEN SINK

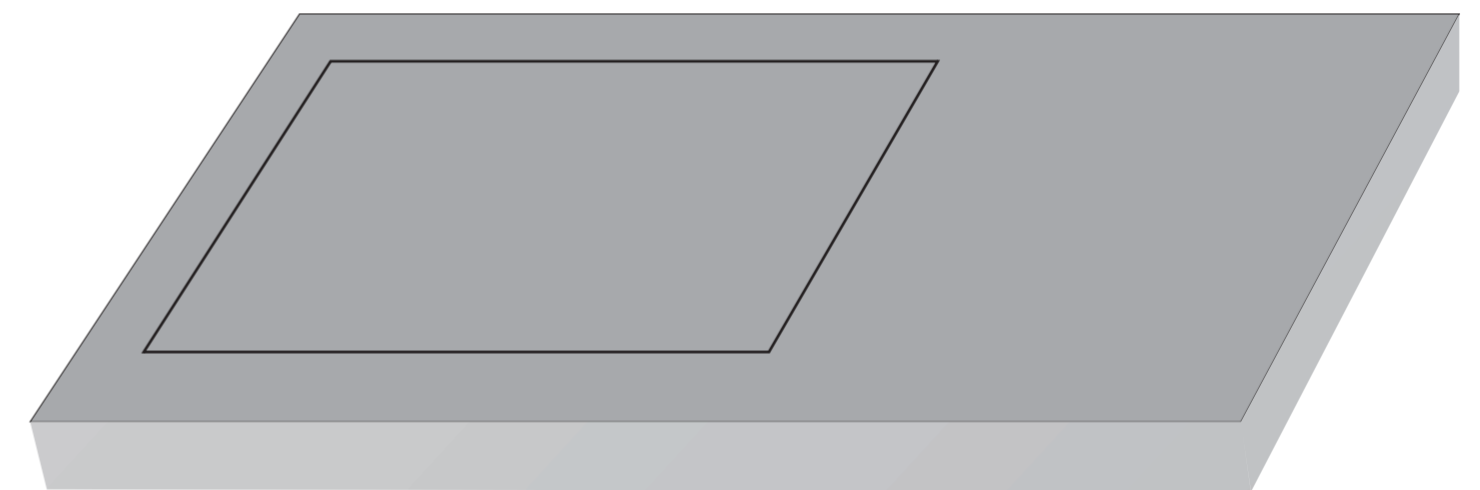
#### STEP - 1

PUT THE TEMPLATE ON THE PLATFORM



#### STEP - 2

MARK THE LINES AS PER OUTER EDGE OF THE TEMPLATE



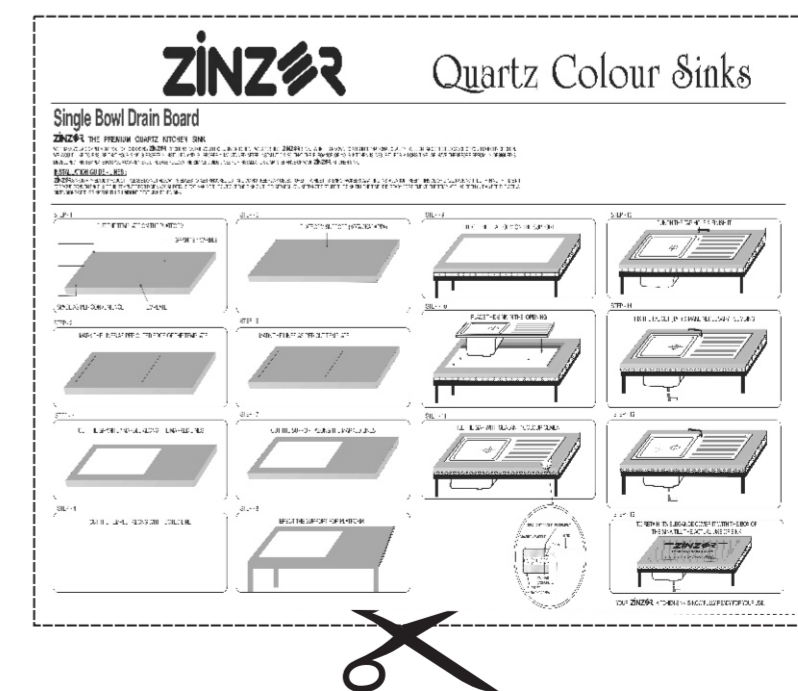
#### STEP - 3

CUT THE GRANITE / MARBLE ALONG THE MARKED LINES



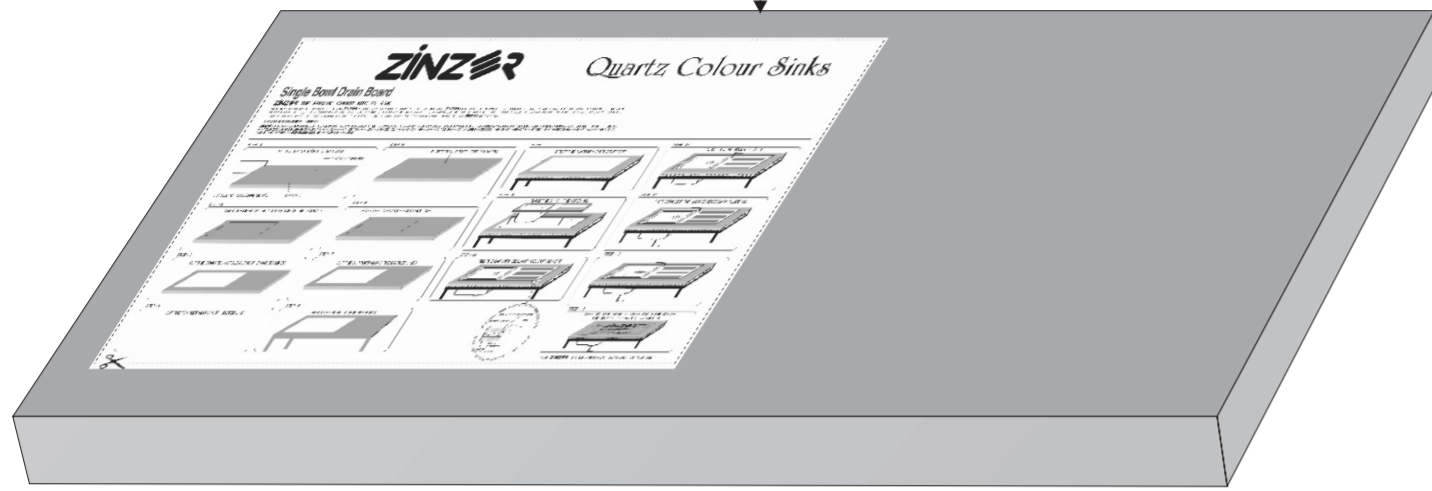
#### STEP - 4

CUT THE TEMPLATE ALONG WITH DOTTED LINE



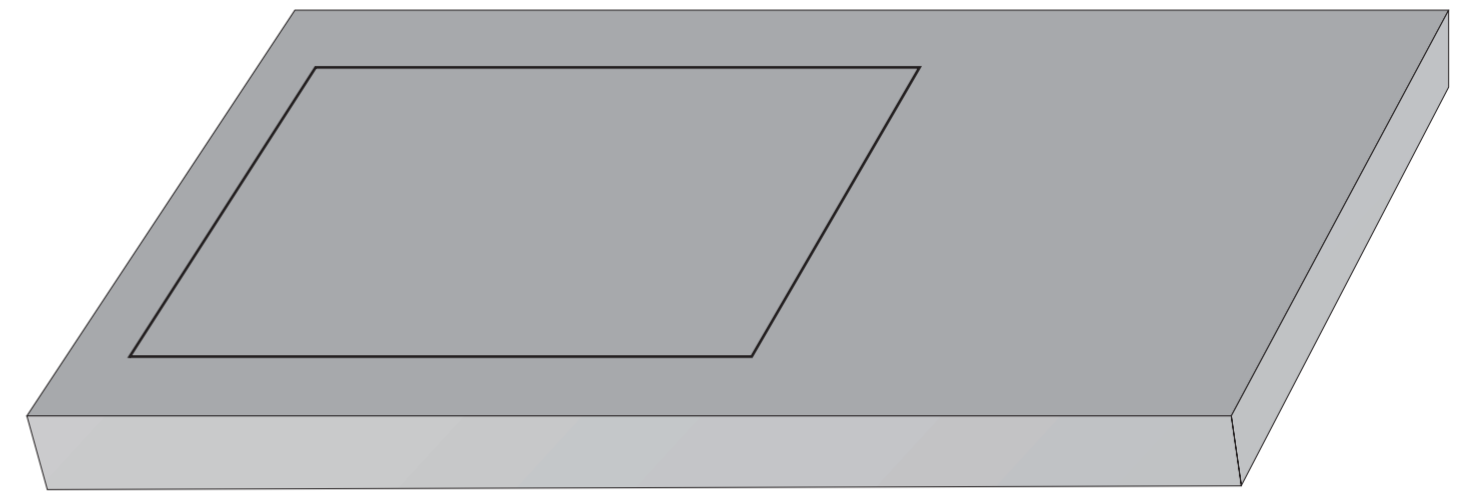
STEP - 5

PLATFORM SUPPORT (KOTA / KADAPPA)



STEP - 6

MARK THE LINES AS PER CUT TEMPLATE



STEP - 7

CUT THE SUPPORT ALONG THE MARKED LINES



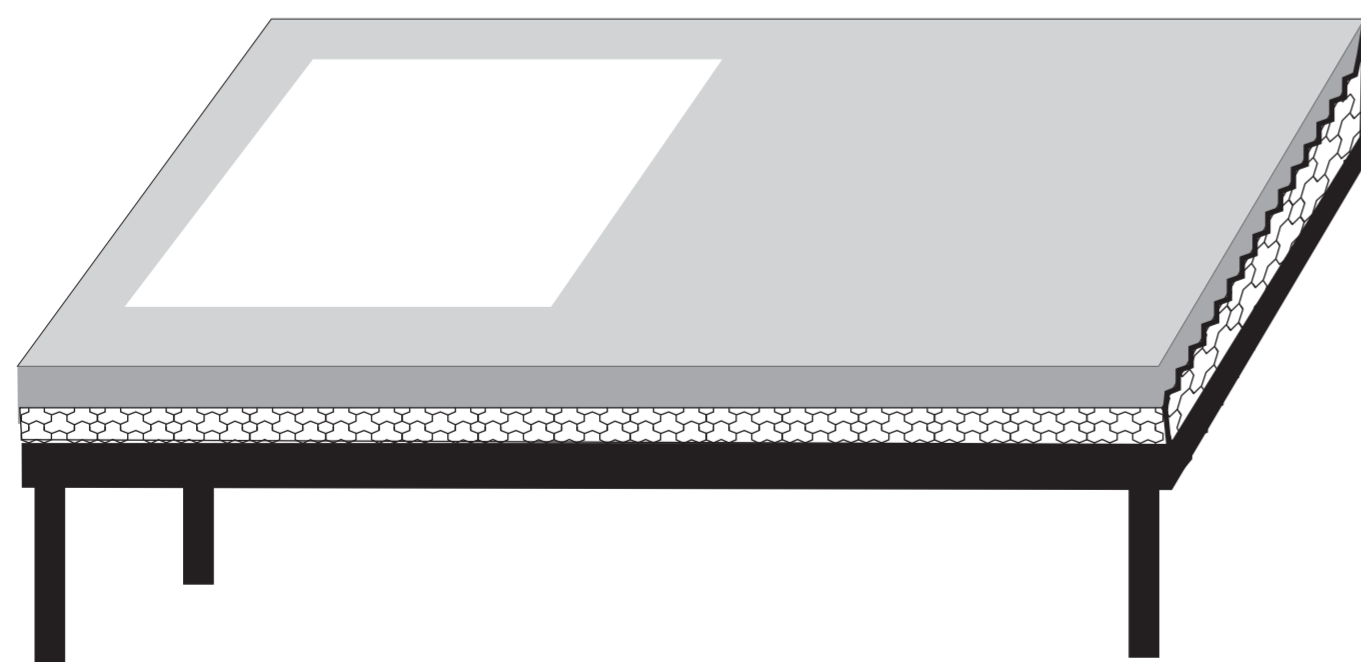
STEP - 8

ERECT THE SUPPORT FOR PLATFORM



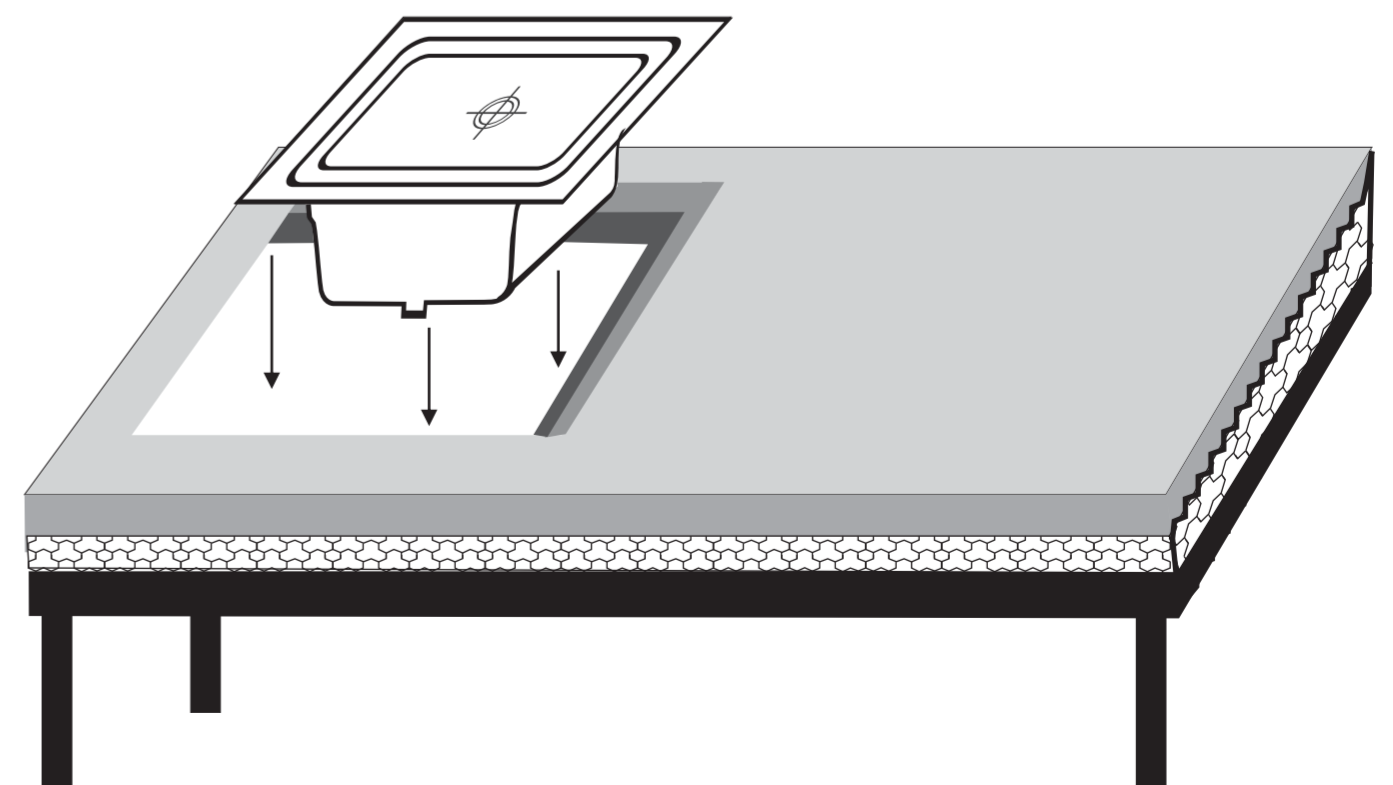
STEP - 9

ERECT THE PLATFORM ON THE SUPPORT



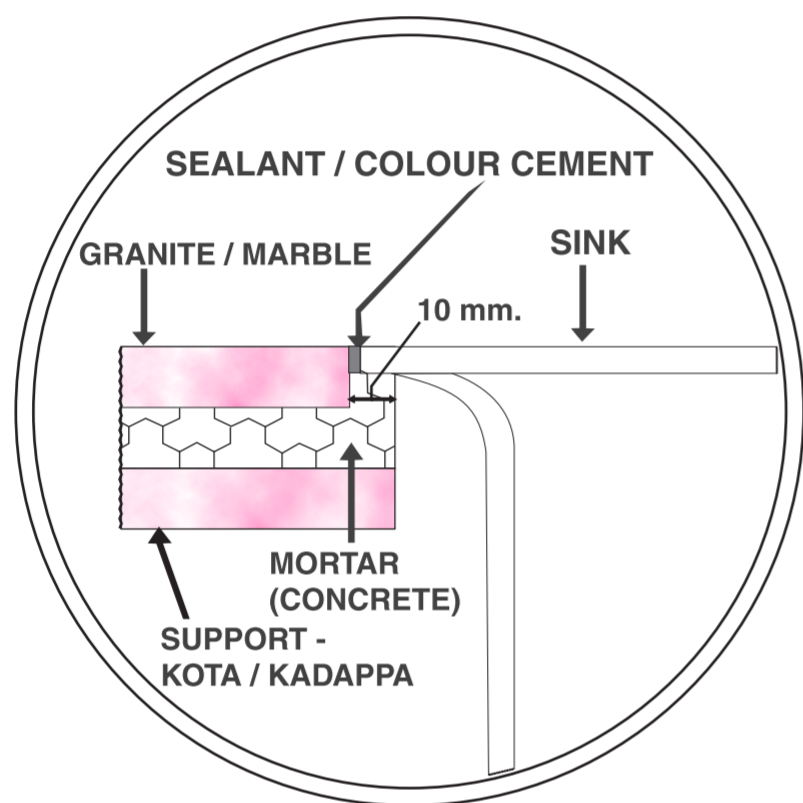
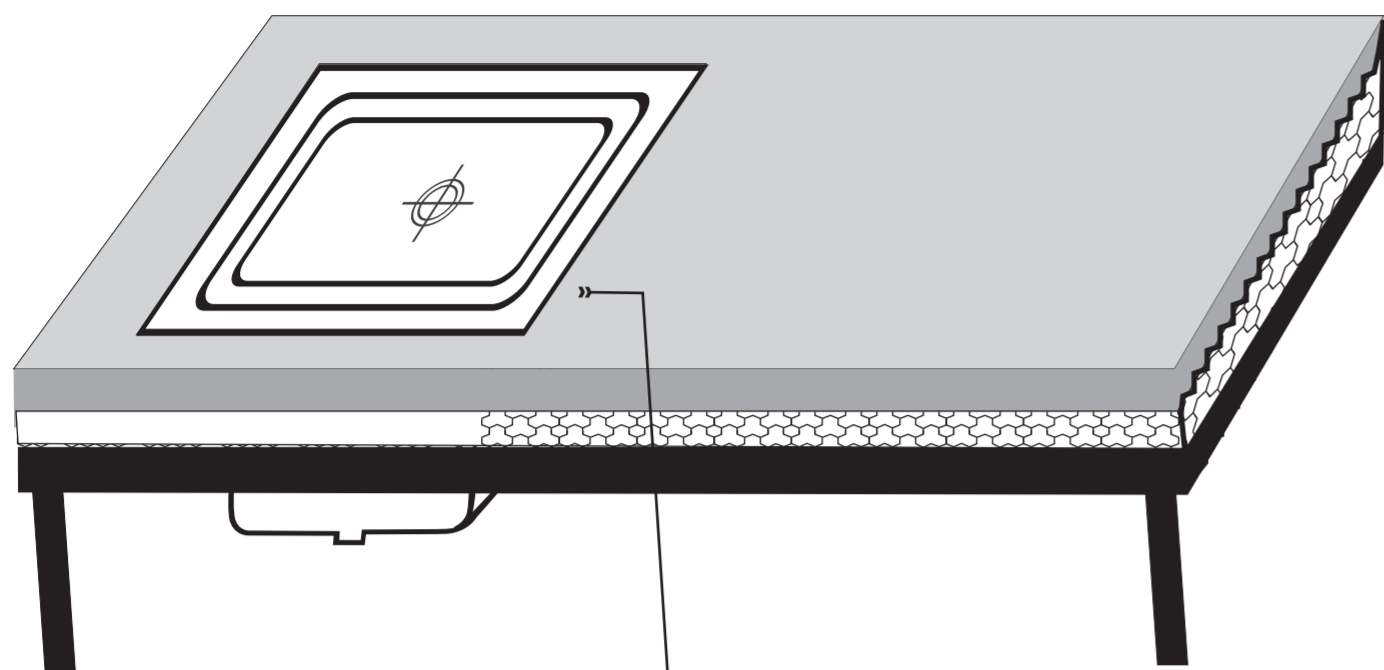
STEP - 10

PLACE THE SINK IN THE OPENING



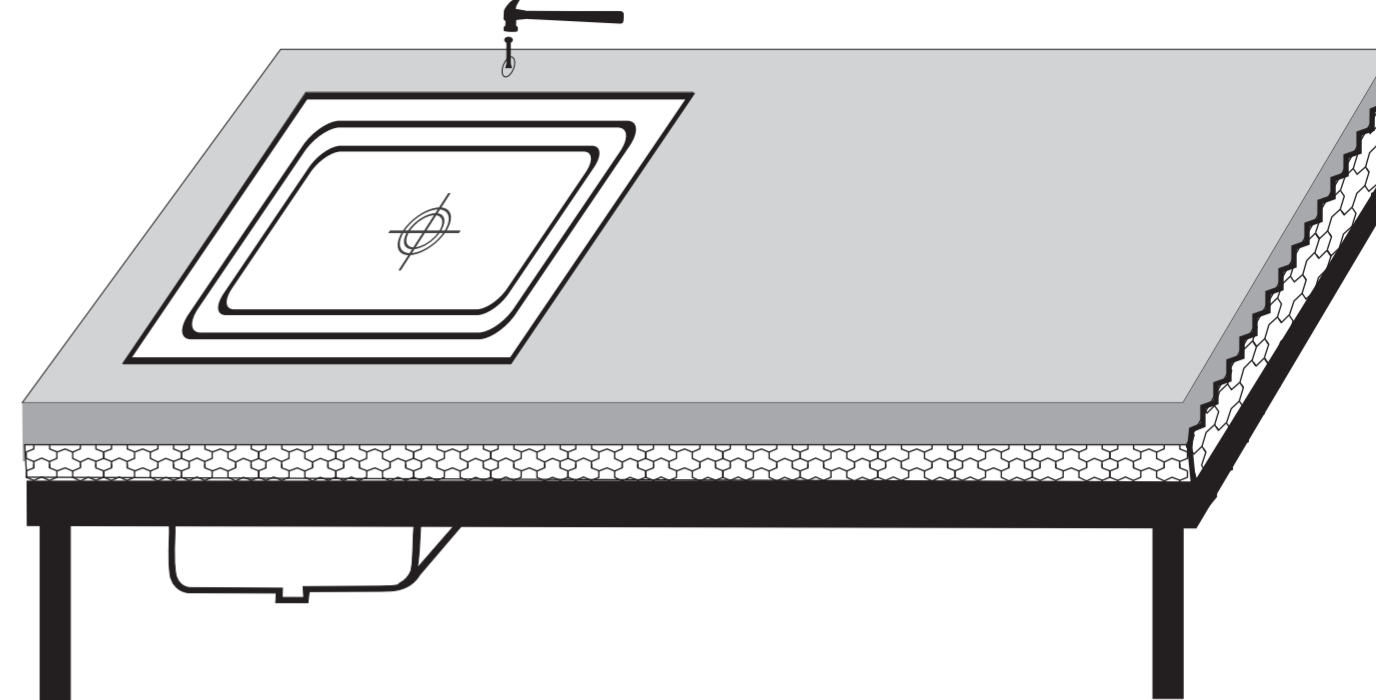
STEP - 11

FILL THE GAP WITH SEALANT / COLOUR CEMENT



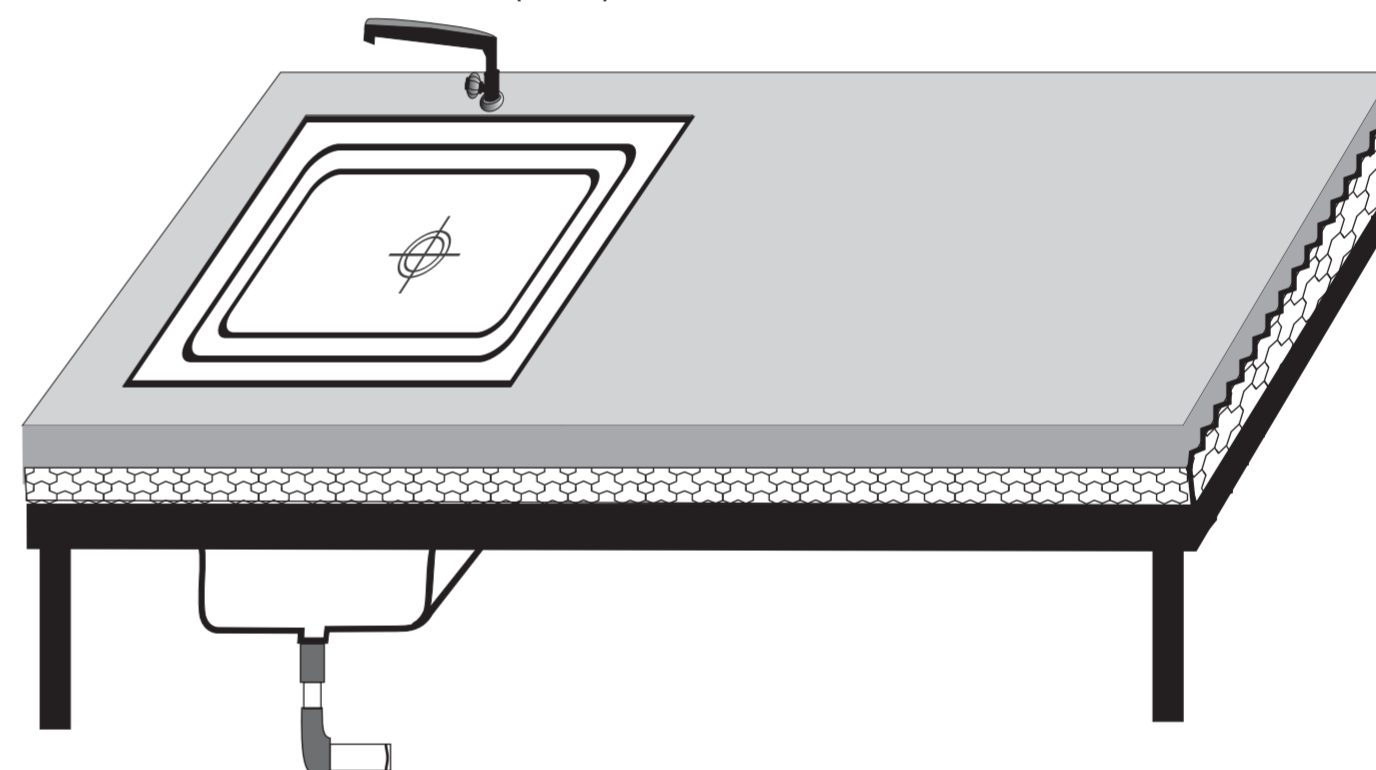
STEP - 12

PUNCH THE TAP HOLE & FINISH IT



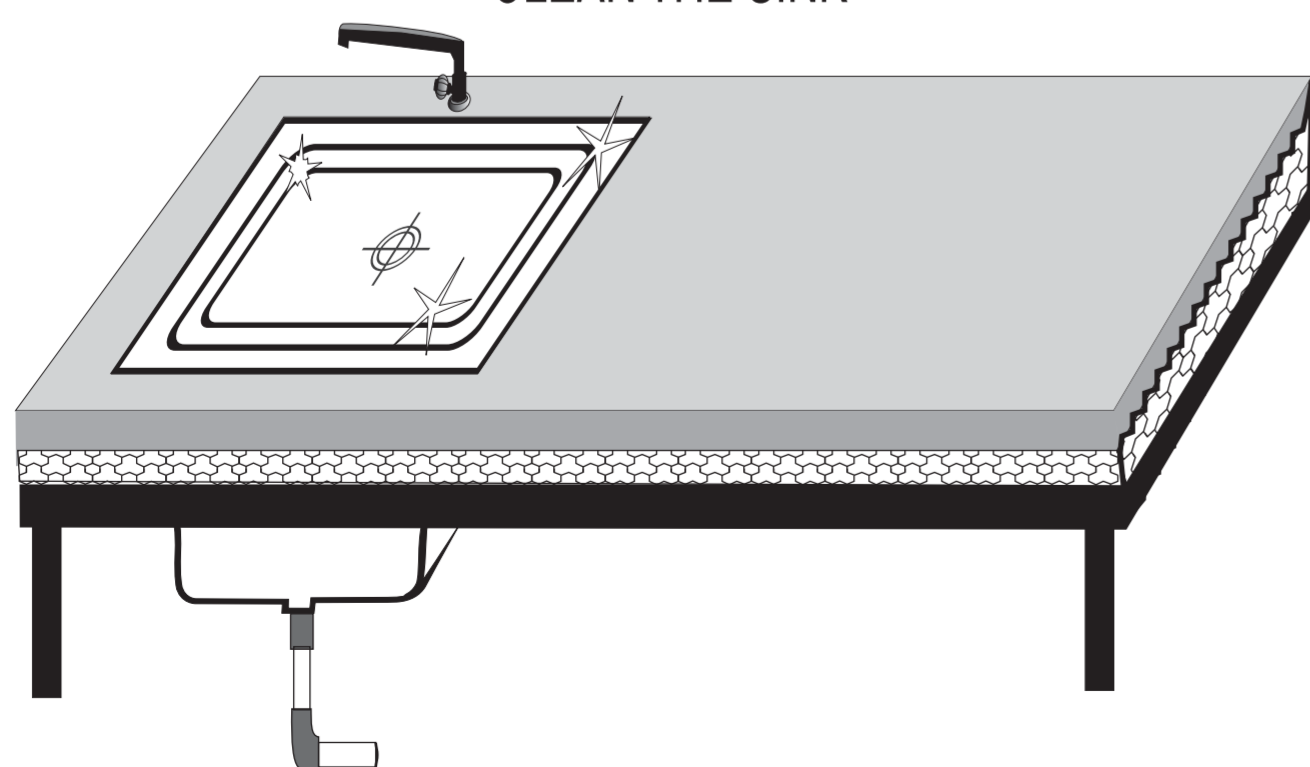
STEP - 13

FIX THE FAUCET (TAP) & MAKE NECESSARY PLUMBING



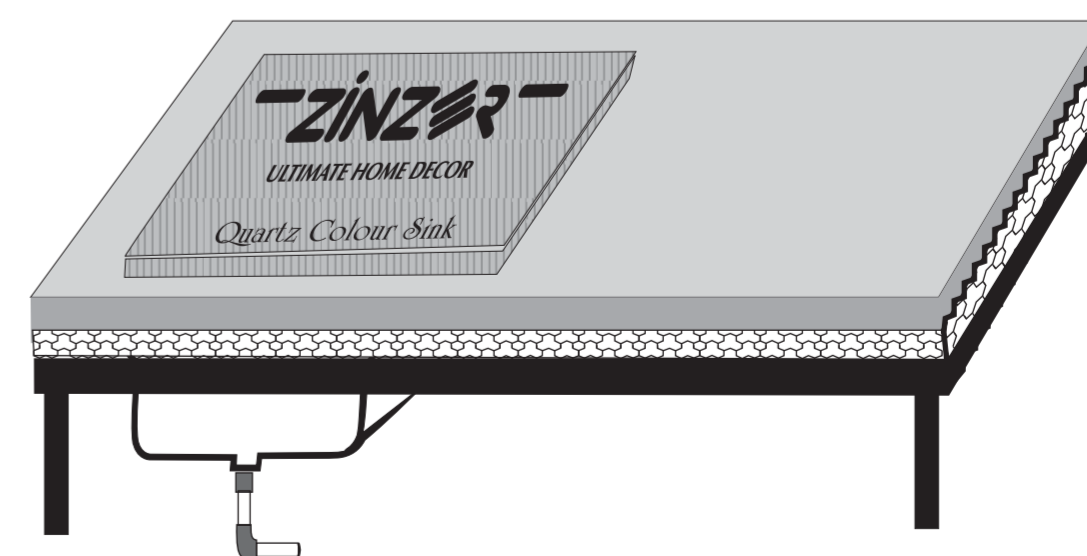
STEP - 14

CLEAN THE SINK



STEP - 15

TO RETAIN ITS ELEGANCE COVER IT WITH THE BOX OF THE SINK TILL THE ACTUAL USE OF SINK



YOUR **ZINZOR** KITCHEN SINK IS NOW FULLY READY FOR YOUR USE.